

TOYOTA

# details

Accessories That Enhance Your Customers' Driving Experience



## The Genuine Toyota Tow Hitch: Good to Go—For the Long Haul

Every Genuine Toyota hitch features a vehicle-specific design that's precisely engineered to achieve the maximum tow rating. Toyota owners can enjoy the luxury of worry free towing, whether taking a pair of motorcycles on a daytrip, helping a friend move or hauling a boat to the family's favorite vacation spot.

Still, all towing hitches are not created equal. Only a Genuine Toyota hitch is explicitly engineered for Toyota vehicles, taking into account the specific model's frame, engine size, towing capacity and a range of other specifications—ultimately providing a hitch that matches the capacity of the entire vehicle. And only Toyota can guarantee the quality, dependability and reliability that customers rely on for proven towing capability, along with that extra touch of personalization to complement their driving needs.



ACCESSORIES

# TOWING CONFIDENTLY

WITH GENUINE TOYOTA HITCHES

## Considering Every Angle

A Genuine Toyota tow hitch is a highly engineered structural component that—when properly integrated with a Toyota vehicle—allows customers hassle-free use of their vehicle’s towing capacity. At the same time, Toyota considers the hitch only one component of a complete towing system. That’s because Toyota ensures all components of each vehicle are optimized for towing, from the engine and transmission, to the oil-cooling and electrical systems.

Functionality dominates the engineering process, with Toyota designers taking into account every aspect of the towing system as it will function in different towing situations. For example, establishing the departure angle of the hitch and ball mount is critical, because if the angle and distance between the back tires and the ball mount are too far apart, the ball mount may scrape the ground while towing on an incline.

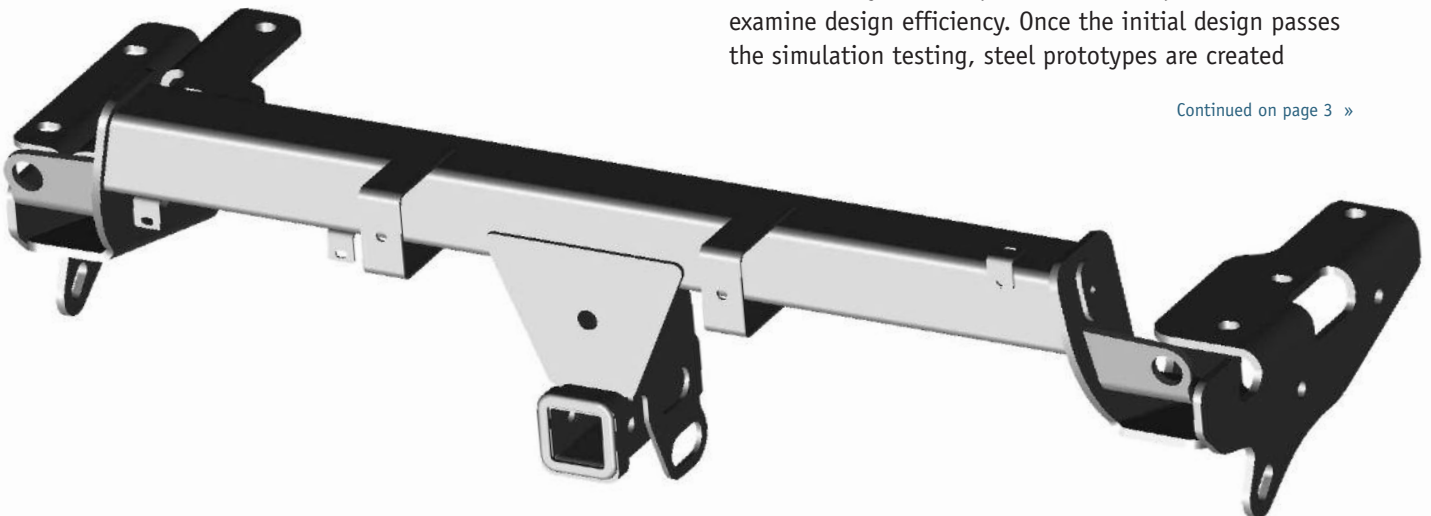
## Put to the (Genuine Toyota) Test

Any tow hitch can be designed to withstand the force required to tow thousands of pounds. However, actual towing capability requires significantly more than a rating on a given hitch label, which is why buying “Genuine Toyota” is so important to safe, successful towing. Toyota understands the comprehensive towing requirements necessary for its vehicles and will only

provide a tow hitch that matches the exact capacity of each vehicle in its entirety. To ensure this promise, Toyota carries out an uncompromising design, testing and manufacturing process for each essential part of the Genuine Toyota Towing system including the tow hitch, as well as the trailer ball, ball mount and wire harness.

Thorough testing of every tow hitch and ball mount design is conducted both on and off each specific Toyota model. Precise computer simulations are used for each hitch to analyze stress points, assess impact forces and examine design efficiency. Once the initial design passes the simulation testing, steel prototypes are created

[Continued on page 3 »](#)





Continued from page 2

and sent to certified labs within Toyota and to our certified suppliers for real-world testing.

Stringent Toyota-required tests then ensure the quality and effectiveness of the design for the life of the vehicle. This is achieved through lab tests that, in a matter of days or weeks, can simulate—and accelerate—the effects of the elements and ongoing usage a hitch is subjected to throughout its lifetime. Environmental chambers test the harshness of water, salt and temperature on the hitch. Hydraulic repetition machines test the long-term mechanical durability of the hitch via extensive fatigue testing. The final step is on-road testing with each vehicle model and its corresponding hitch.

### Made in the U.S.A.

All Toyota hitches are manufactured in the United States by expert welders, press operators and painters. Each hitch is stamped, machined and welded, which is followed by painting of the completed hitch.

All Toyota hitches are painted with two distinct coating materials, double that of most aftermarket hitches. For starters, the hitch is dipped into a black protective coating called electro-deposition coating or “e-coat,” which provides corrosion protection in each and every nook and cranny. This material protects the steel hitch from the harsh effects of the environment, namely all forms of salt and water. The second coating is a “powder top coat,” which is a hard protective coating that keeps the hitch from becoming chalky and prevents peeling

that can be caused by exposure to the sun’s ultra-violet rays, while also protecting against chips and scratches.

The completed Toyota Towing Systems are then shipped to Toyota dealerships in a self-contained recyclable box that protects the parts from damage, ensuring their essential integrity and quality.

### Maintaining Vehicle Integrity

Each Genuine Toyota tow hitch is custom designed to fit one specific model, because each vehicle’s frame and structure is different. An advanced (no-drill) hitch installation process and wire harness attachment makes this system non-invasive to the frame of the vehicle—in contrast to drilling into the body, which is required by some aftermarket towing systems. This can compromise the vehicle by removing protective coatings on the steel frame, causing rust and weakening the vehicle.

The Genuine Toyota Towing System comes with a custom wiring harness—critical to ensuring seamless taillight and turn signal operations—that includes high-quality, plug-in connectors that fit each specific Toyota model. On the contrary, splicing into the wiring harness of the sophisticated electronic system on a Toyota could cause a short in the system and void the warranty. On the FJ Cruiser and Highlander, for example, parts of the rear fascia are removed to accommodate the hitch. With a Genuine Toyota Towing System, a custom replacement fascia piece—matching vehicle contours and color—is installed to successfully integrate the appearance of the vehicle’s bumper and hitch.

Continued on page 4 »

Continued from page 3

A Genuine Toyota Hitch is also designed to transfer the force of towing across the vehicle. By displacing the pressure and weight of towing over a wider area on the vehicle, the Genuine Toyota Hitch minimizes the stress across the connection points between the hitch and frame, preserving the integrity of the body structure.

Genuine Toyota Hitches are backed by Toyota’s 3-year/36,000-mile basic new vehicle limited warranty, honored at all Toyota dealerships nationwide. That’s why your customers can count on dependable towing capability and performance over the long haul.



RAV TOWING RECEIVING HITCH



TACOMA TOWING HITCH WITH PLUG

### Key Advantages At a Glance:

Toyota Hitches—and More!

| Feature                                    | Function  | Benefit   | Toyota Towing System                                       | Typical 3rd Party Hitch |
|--|---|---|--|-------------------------|
| <b>Hitch</b>                               | Provides premium high-strength construction and connections to your vehicle                 | Matches contour of the Toyota vehicle, minimizing visual hang-down; pre-certified for specific towing amounts | YES  | NO                      |
| <b>Wire Harness</b>                        | Connects the brake lights and turn signal from the vehicle to the towing trailer            | Cables and connectors specifically designed to work with the vehicle’s existing Toyota electrical system      | YES  | NO                      |
| <b>Electro-Deposition Coating (e-coat)</b> | Corrosion-resistant coating helps protect the hitch, preventing rusting and weather fatigue | Every nook and cranny is e-coated—and protected, ensuring quality appearance and long-term durability         | YES  | MAYBE                   |
| <b>Powder Top Coating</b>                  | Protects the hitch from the effects of UV light and normal wear and tear                    | Maintains shiny, black appearance for the life of the hitch   | YES  | MAYBE                   |
| <b>Extensive Lab Testing</b>               | Ensures the product meets all Toyota performance standards                                  | Validates the quality and strength of the hitch for worry-free towing   | YES  | NO                      |
| <b>On-Road Testing</b>                     | Tests the towing system under real world conditions on the specific Toyota vehicle          | Validates the quality and durability of the towing system   | YES  | NO                      |
| <b>Hitch Plug</b>                          | Protects the ball mount opening on the hitch from collecting debris                         | High quality cover, with the Toyota logo, that fits properly and looks good                                   | YES  | NO                      |
| <b>Fascia Replacement Parts</b>            | Provides a “finished” appearance to the bumper  | Enhances vehicle’s overall appearance and reflects its unique design cues                                     | YES  | NO                      |
| <b>Warranty</b>                            | Covers Toyota accessories for 3 years /36,000 miles   | Valid at any Toyota dealership nationwide   | COVERS TOWING SYSTEM AND VEHICLE TOWING SYSTEM AND VEHICLE | COVERS HITCH ONLY       |